

# Compact Stacker

85/65 - 85/105 - 125/85



## A simple plate stacking solution

The Compact Plate Stacker is designed as a very simple and compact stacking solution that integrates perfectly with the full range of Glunz & Jensen manufactured processors.

Offered by standard as a stand-alone solution it is easily fitted against any processor or CtP device. The very short cycle time enables the Compact Plate Stacker to be used with the fastest CtP devices on the market.

Compact Plate Stacker is built with a fixed plate magazine which is able to store up to 100 plates, and uses gravity to move the plate from processor exit to the base of the plate stacker magazine via a track of easy going rollers.

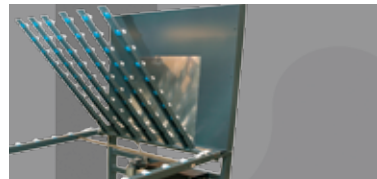
The Compact Plate Stacker is made as a shipping-friendly knock-down construction with a few modules which are easily assembled.

Compact Plate Stacker is available in 3 different models;

- Compact Stacker 85/65 for 4-up landscape
- Compact Stacker 85/105 for 8-up portrait
- Compact Stacker 125/85 for 8-up landscape



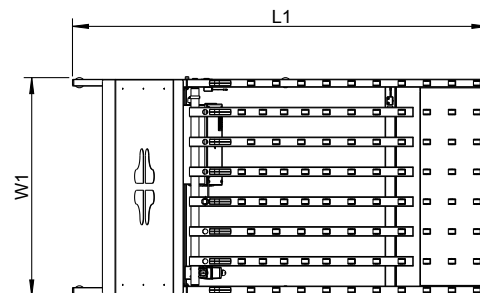
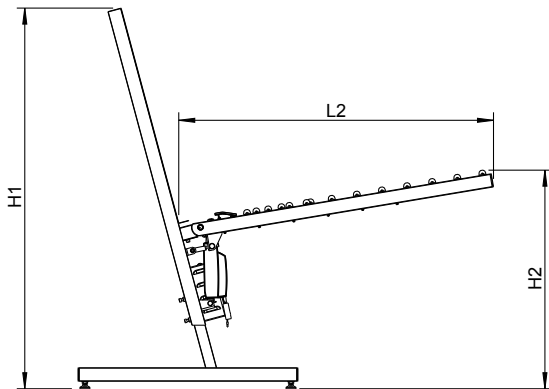
Made as a knock-down construction, the stacker is shipped in a flat box which is easily added on top of the processor.



# Technical specifications: Compact Stacker

- Simple design, ensuring reliable and trouble-free operation
- Adjustable to suit height of processors with all CtP's in the market
- Uses gravity to move plate into the magazine

Compact Stacker 85/105



Note: H1 figures are based on normal operation angle of slide (9.5 degrees).

	<b>Compact 85/65</b>	<b>Compact 85/105</b>	<b>Compact 125/85</b>
Processor size	85 cm (33.5")	85 cm (33.5")	125 cm (49.2")
Plate size, max length	65 cm (25.6")	105 cm (41.3")	85 cm (33.5")
Plate orientation	Landscape	Portrait	Landscape
Plate Gauge	0.15 - 0.50 mm (0.006 - 0.02")	0.15 - 0.50 mm (0.006 - 0.02")	0.15 - 0.50 mm (0.006 - 0.02")
Max. plate length	650 (25.6") mm	1050mm (41.3")	850 mm (33.5")
Max plate width	~ 850 mm (33.5")	~ 850 mm (33.5")	~ 1250 mm mm (49.2")
W1	819 mm (32,2")	819mm (32,2")	819mm (32,2")
L1	1056-1191 mm (41.6-46.9")	1450-1585 mm (57.1-62.4")	1253 - 1388 mm (49.3-54.6")
H1	966-1468 mm (30.0-57.8")	1352-1855 mm (53.2-73.0")	1159-1661 mm (45.6-65.4")
H2	678-1181 mm (26.7-46.5")	744-1247 mm (29.3-49.1")	711-1214 mm (27.9-47.8")
L2	786 mm (30.9")	1181 mm (46.5")	983 mm (38.7")
Approvals	Complies with CE safety standards, UL, c/UL and RoHS certified		
Electrical supply	Single Phase 100, 115, 200, 230 VAC + PE, 50-60 Hz		
Crate dimensions	840 x 870 x 250 mm (33.0 x 34.3 x 9.8")	840 x 1270 x 250 mm (33.0 x 50.0 x 9.8")	1240 x 1070 x 250 mm (48.8 x 42.1 x 9.8")

For more detailed information on our pate stackers, please go to [www.glunz-jensen.com/support/download/manuals](http://www.glunz-jensen.com/support/download/manuals)

Standard configurations may vary in the market. Specifications are subject to changes without prior notice.



Made as a knock-down construction, the stacker is shipped in a flat box which is easily added on top of the processor.

## GLUNZ & JENSEN

### Headquarters:

Glunz & Jensen A/S  
Haslevej 13  
DK-4100 Ringsted  
Denmark  
Tel. +45 57 68 81 81  
Fax +45 57 68 83 40  
E-mail: [gjhq@glunz-jensen.com](mailto:gjhq@glunz-jensen.com)  
Internet: [www.glunz-jensen.com](http://www.glunz-jensen.com)

### USA Operations:

Glunz & Jensen, Inc.  
12633 Industrial Drive  
Granger, IN 46530  
USA  
Tel: +1 574 272 9950  
Fax: +1 574 277 6566  
[sales-usa@glunz-jensen.com](mailto:sales-usa@glunz-jensen.com)

### China Operations:

Glunz & Jensen (Shenzhen) Representative Office  
China South International Industrial Materials City  
Paper, Printing & Packaging Trade Center  
Block P:14 - No 125, No 1 Hua Nan Main Road  
Ping Hu, Longgang District  
Shenzhen 518111, P.R. China  
Mobile (HK): +852 9230 2919  
Mobile (CH): +86 15018901632  
[kho@glunz-jensen.com](mailto:kho@glunz-jensen.com)